

6、RSYA Series Single Phase AC Regulator

电工仪表

传感器
显示控制表

热工类显
示控制仪表

计数器
系列

时间
继电器

脉冲转速
线速度
工频
频率表

记录仪
工业控制器

信号
隔离器

旋转
编码器

接近开关

固态
继电器

电力
产品介绍

■ Photos and Features

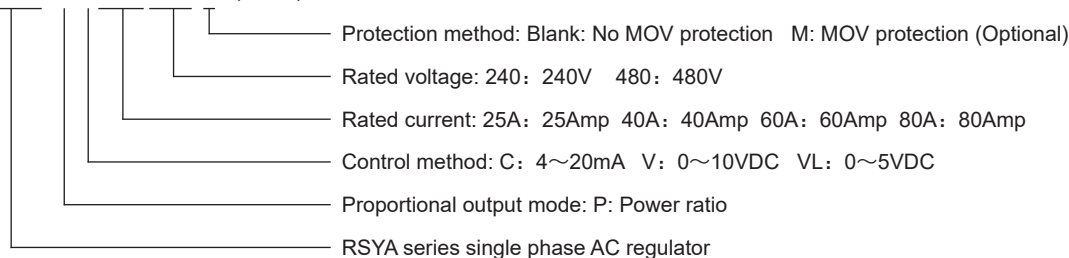


Features:

- ★ Load current: 25A、40A、60A、80A
- ★ SCR output
- ★ Control signal: 0~5VDC、0~10VDC、4~20mA
- ★ Phase-shifted control output
- ★ Optional built-in MOV protection
- ★ Comply withRoHS

■ Model Illustration

RSYA-PC25A480M (XXX) – Version code



■ Model type

Model	Control signal	Rated current	Voltage range	Code
RSYA-PC25A240	4~20mA	25A	176~280VAC	D0180RSYA01
RSYA-PC40A240		40A	176~280VAC	D0210RSYA01
RSYA-PC60A240		60A	176~280VAC	D0240RSYA01
RSYA-PC80A240		80A	176~280VAC	D0290RSYA01
RSYA-PC25A480		25A	300~530VAC	D0190RSYA01
RSYA-PC40A480		40A	300~530VAC	D0230RSYA01
RSYA-PC60A480		60A	300~530VAC	D0270RSYA01
RSYA-PC80A480		80A	300~530VAC	D0310RSYA01
RSYA-PV25A240	0~10VDC	25A	176~280VAC	D0180RSYA01
RSYA-PV40A240		40A	176~280VAC	D0210RSYA01
RSYA-PV60A240		60A	176~280VAC	D0240RSYA01
RSYA-PV80A240		80A	176~280VAC	D0290RSYA01
RSYA-PV25A480		25A	300~530VAC	D0190RSYA01
RSYA-PV40A480		40A	300~530VAC	D0230RSYA01
RSYA-PV60A480		60A	300~530VAC	D0270RSYA01
RSYA-PV80A480		80A	300~530VAC	D0310RSYA01
RSYA-PVL25A240	0~5VDC	25A	176~280VAC	D0180RSYA01
RSYA-PVL40A240		40A	176~280VAC	D0210RSYA01
RSYA-PVL60A240		60A	176~280VAC	D0240RSYA01
RSYA-PVL80A240		80A	176~280VAC	D0290RSYA01
RSYA-PVL25A480		25A	300~530VAC	D0190RSYA01
RSYA-PVL40A480		40A	300~530VAC	D0230RSYA01
RSYA-PVL60A480		60A	300~530VAC	D0270RSYA01
RSYA-PVL80A480		80A	300~530VAC	D0310RSYA01

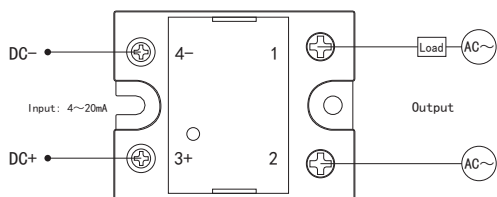
Specifications

Input parameters	Voltage control	Auxiliary power voltage range		10~32VDC	Output parameters	Load power supply voltage range	240	176~280VAC
		Control voltage range	VL	0~5VDC		480	300~530VAC	
			V	0~10VDC		Max surge current [@10ms]	25A	250A
		Turn-on voltage	VL	0.1VDC max			40A	400A
			V	0.2VDC max			60A	600A
		Turn-off voltage	VL	0.05VDC min			80A	800A
	V		0.1VDC min	Max transient voltage		600Vpk 1200vpk		
	Input resistance	VL	30kΩTYP.	Output percentage		0~99%		
		V	60kΩTYP.	Working frequency range		47~63Hz		
	Current control	Current range		4~20mA		Max off-state leakage current (at rated voltage)		5mA
Turn-on current		4.6mA max	Off-state voltage exponential rise rate dv/dt		500V/μs			
Turn-off current		3.8mA min	Storage temperature range		-30°C~+100°C			
Input resistance		60kΩTYP.	Weight		120g			
Other parameters	Medium withstand voltage [50/60Hz]	Input/output		4000Vrms	LED indicator		Turn on indication	
		Input/output/bottom		2500Vrms	LED indicator illustration		LED(green)When the product turn on, the LED is on	
	Insulation resistance(@500VDC)		1000MΩ					
	Working temperature range		-30°C~+80°C					

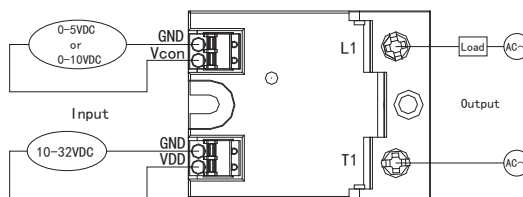
Remark (1) : When it is current control, the driving voltage should be more than 10V

Wiring Diagram

Current control type



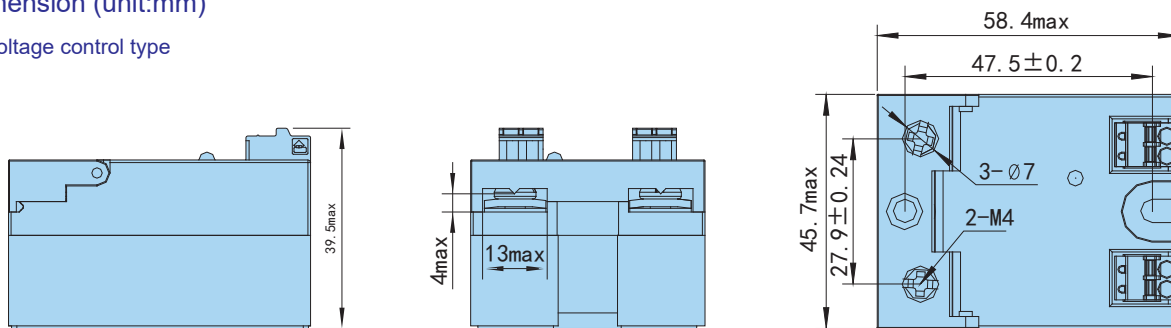
Voltage control type (2)



Remark (2) : Auxiliary power GND and control signal GND short circuit common ground internally. If external control signal and power supply don't short circuit common ground, need to connect their GND signal individually.

Dimension (unit:mm)

Voltage control type



Use cool-rolled copper for wire connection	
Output terminal: W=12mm max	
Wire	Input terminal: max 1.5mm ²
	Output terminal: max 7mm ²
Recommended installation torque	Output terminal: 0.98-1.37N·m

电工仪表
传感器 显示控制表
热工类显 示控制仪表
计数器 系列
时间 继电器
脉冲转速 线速度 工频 频率表
记录仪 工业控制器
信号 隔离器
旋转 编码器
接近开关
固态 继电器
电力 产品介绍