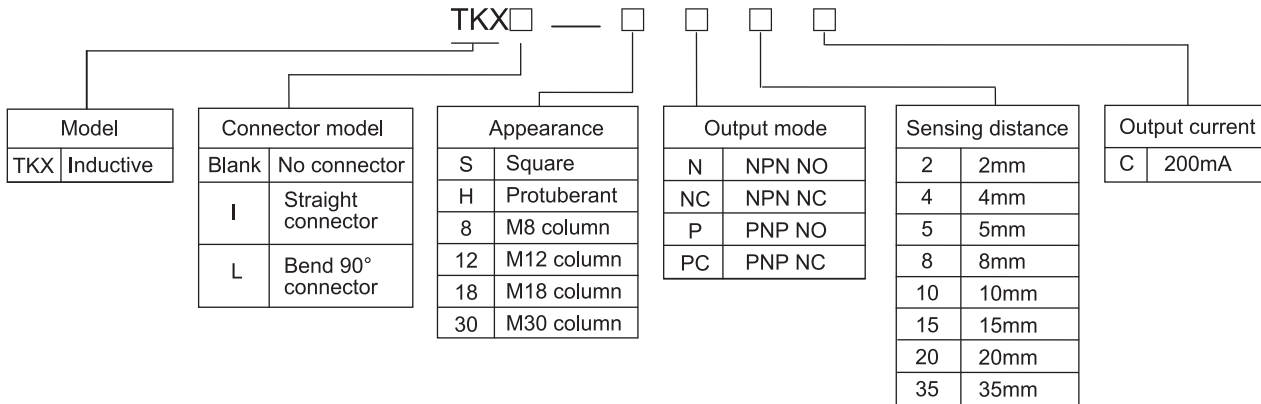


# Proximity Sensor User Manual

Thank you for your trust in the products of Toky Electrical Co., Ltd. please refer to this instruction when using our products, so as to avoid unnecessary loss caused by operation error.

## 1. Model

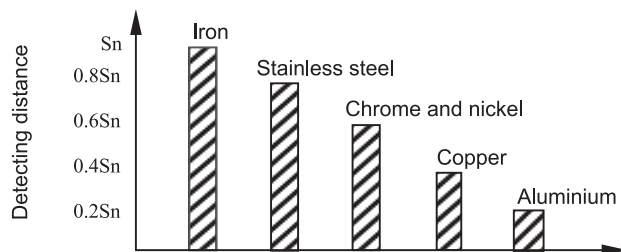


For example: TKXI-12N4C means inductive proximity sensor with straight connector, 12mm in diameter, NPN NO, sensing distance is 4mm, max output current is 200mA.

## 2. Detecting Distance

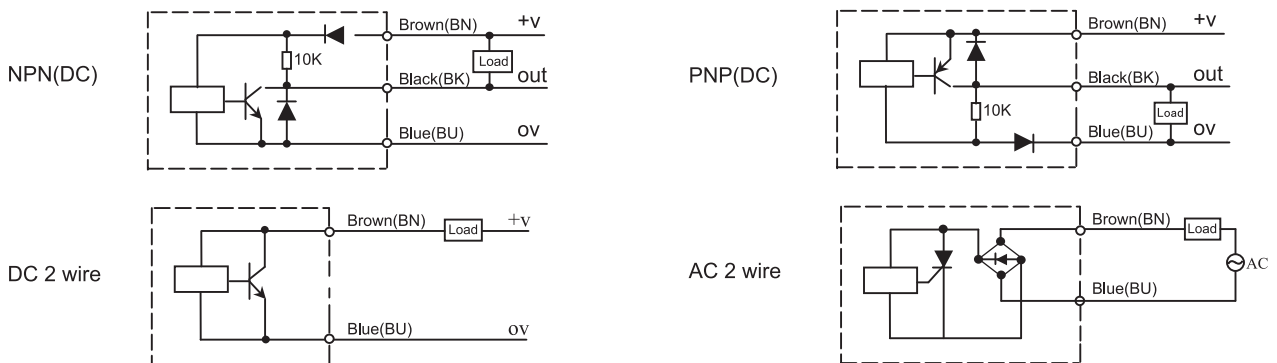
- ※To set operating distance within 80% of sensing distance (SN), to avoid the influence of temperature and voltage on the sensor operation.
- ※Operating distance varies with different measured metals. (Figure 1)
- ※When the sensor is used to measure the action frequency or used on the high-speed occasions, please set the operating distance of the sensor at 1 / 2 sensing distance (SN), where the sensor can obtain the maximum action frequency.
- ※Please refer to the operation instructions of capacitive proximity sensor for the operating distance setting of capacitive proximity sensor. (See 6)

Correction coefficient for different detected object



(Figure 1)

## 3. Wiring Diagram



## 4. Series Connection and Parallel Connection

